

NSV-BAT 12V Battery

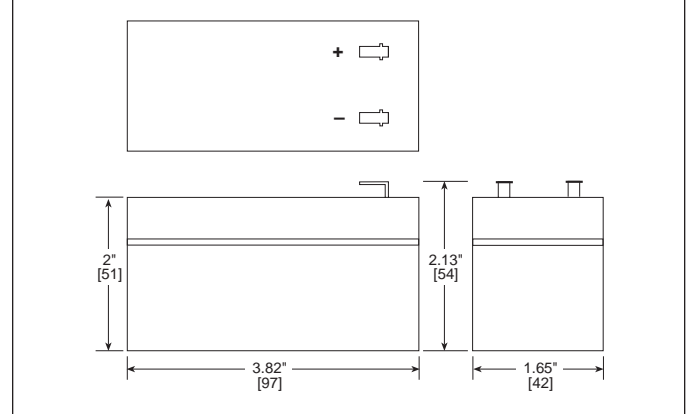


Technical Data	NSV-BAT
Battery type	Lead-acid
Voltage	12 VDC
Nominal capacity	1.2 AH
Connections	.187 male spade
Weight	1.32 lb [.6 kg]

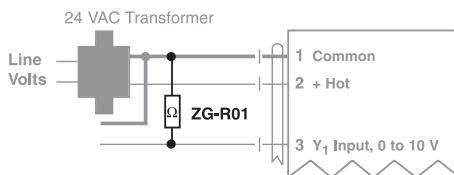
Application

The NSV-BAT battery is for use with the NSV24 battery back-up module. It is a sealed, maintenance free, lead-acid battery. Two NSV-BAT batteries are required for one NSV24.

Dimensions (Inches [mm])



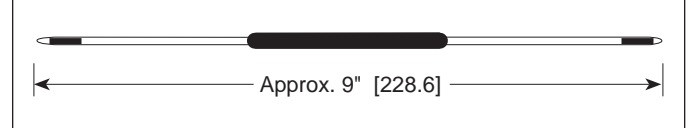
ZG-R01 Resistor for 4 to 20 mA conversions



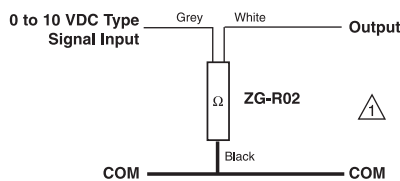
Application

The ZG-R01 is a 499 Ω Resistor which has been encased in a section of heat shrink tubing with short sections of hook up wire. The ZG-R01 is used to convert a 4 to 20mA signal into a 2 to 10 VDC control signal.

Dimensions (Inches [mm])



ZG-R02 50% Voltage Divider



⚠ The impedance of the device attached must be 100kΩ.

Application

The ZG-R02 is a voltage divider designed so that when connected to a 100 kΩ input impedance, the output signal is 50% if the input signal. The voltage divider circuit is encased in a short section of heat shrink tubing with three short sections of hook up wire.

Dimensions (Inches [mm])



Resistor kits for Multiple Actuator Applications

Resistor Kit No. ZG-R03

135 Ω Operation

No. of Actuators	Resistance Ω
2	140
3	71.5
4	47.5
5	37.5
6	28

Resistor Kit No. ZG-R05

4 to 20 mA Operation

No. of Actuators	Resistance Ω
1	237
2	150
3	124
4	113
5	105
6	97.6

Resistor Kit No. ZG-R06

For Honeywell® Electronic Series 90 Circuits (W7100, W973, T775)

No. of Actuators	Resistance Ω
2	1300
3	910
4	768

Application

For use with the ...MFT95 actuators and Honeywell® controllers

ZG-R03 See table to left

ZG-R05 See table to left

ZG-R06 See table to left